



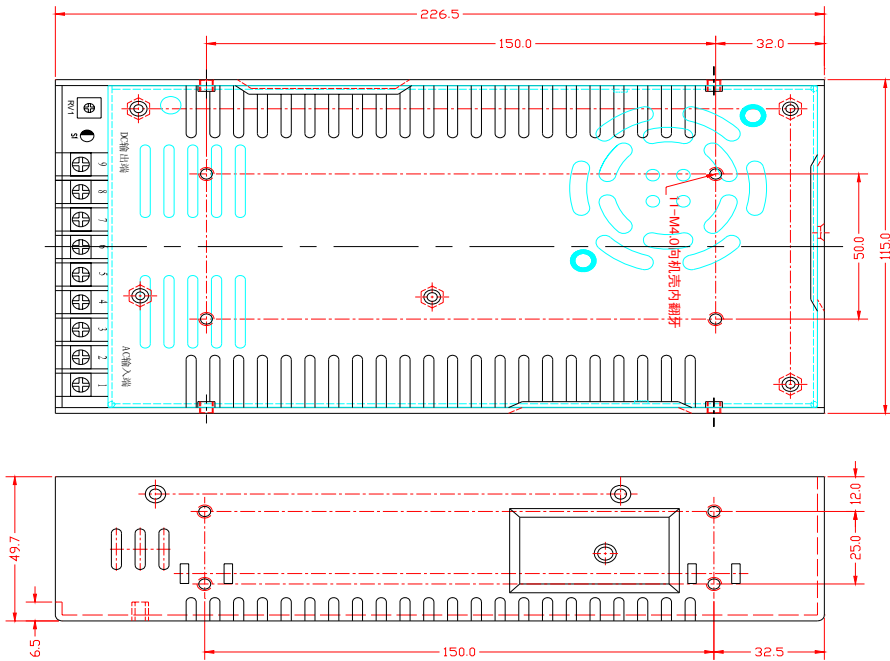
### ■ Features:

- Universal AC input/ Full range
- High Efficiency, and High reliability
- Output protections: SCP/OVP/OPP/OLP/OTP
- Wide operating ambient temperature (-20°C ~65°C)
- All using 105°C long life electrolytic capacitors.
- 100% full load burn-in test
- 2 years warranty

### SPECIFICATION

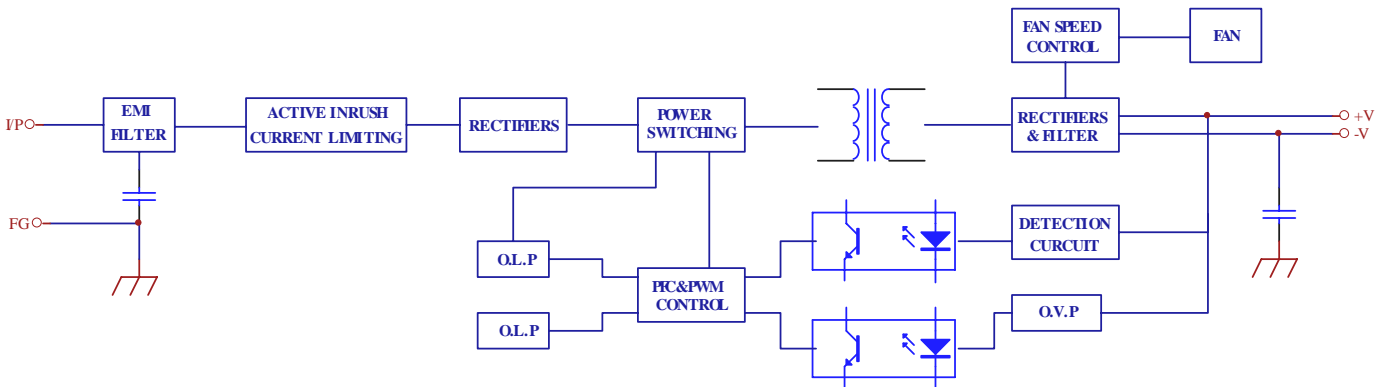
MODEL	PDF-320-5	PDF-320-7.5	PDF-320-12	PDF-320-24	PDF-320-32	PDF-320-36	PDF-320-48		
OUTPUT	DC Output	5.0V	7.5V	12V	24V	32V	36V	48V	
	Rated Current	60A	40A	25A	13A	10A	8.8A	6.7A	
	Current Range	Note 1	0-60A	0-40A	0-25A	0-13A	0-10A	0-8.8A	0-6.7A
	Ripple and Noise	0-65°C	150mV	150mV	150mV	150mV	200mV	200mV	240mV
		Note 2	-20°C	180mV	150mV	150mV	150mV	200mV	200mV
	Voltage ADJ. Range	±10% of rated output voltage							
	Voltage Accuracy	±2.0%	±2.0%	±1.0%	±1.0%	±1.0%	±1.0%	±1.0%	
	Line Regulation	±0.5%	±0.5%	±0.3%	±0.5%	±0.2%	±0.2%	±0.2%	
	Load Regulation	±1.0%	±1.0%	±0.5%	±0.5%	±0.5%	±0.5%	±0.5%	
	Set-up Time	<1.2S (230Vac input, Full load), <2.5S (120Vac input, Full load)							
	Hold up Time	5V>14mS 7.5V/15V/24V/32V/36V/48V>16mS/ (230Vac input, Full load)							
	Temperature Coefficient	±0.05%/°C							
	Overshoot and Undershoot	<5.0%							
INPUT	Voltage Range	88Vac~264Vac							
	Frequency Range	47Hz~63Hz							
	Power Factor(Typical)	PF>0.98/120VAC PF>0.93/230VAC							
	Efficiency ( Typical)	79%	83%	86%	87%	87%	87%	88%	
	AC Current (max.)	4.0A							
	Inrush Current (Typical)	<45A@230Vac <23A@120Vac Cold start							
	Leakage Current	Input—output: ≤0.1mA Input—PG: ≤0.75mA							
PROTECTION	Over Power	105%~135% of rated output current, auto recovery							
	Over Current	105%~135% of rated output current, auto recovery							
	Over Voltage	110%~150% of rated voltage; Shut down							
	Shorted Circuit	Long-term mode, auto recovery							
ENVIRONMENT	Operating amb. Temp. & Hum.	-20°C~65°C; 20%~90%RH No condensing							
	Storage Temp. & Hum.	-40°C~85°C; 10%~95%RH No condensing							
SAFETY & EMC (Note 3)	Safety Standards	GB4943-2001; EN60950-1: 2006							
	Withstand Voltage	Primary-Secondary:3.0KVac; ≤10mA .Primary-PG:1.5KVac; ≤10mA. Secondary-PG:0.5KVac; ≤10mA.							
	Isolation Resistance	≥100M ohms							
	EMI Conduction&Radiation	Compliance to EN55022(CISPR22)ClassB							
	Harmonic Current	Compliance to EN61000-3-2,17625.1-2003							
EMS Immunity	Compliance to EN61000-4-2,3,4,5,6,8,11;ENV50204,light industry level,criteriaA								
OTHERS	MTBF (MIL-HDBK-217F)	More than 100,000Hrs (25°C, Full load)							
	Dimension (L*W*H)	226.5×115×50mm							
	Packing	1.1kg/pcs 12PCS/CTN, 14kgs							
	Cooling method	Forced air cooling							
NOTE	<ol style="list-style-type: none"> <li>All parameters NOT specially mentioned are measured at rated input, rated load and 25°C of ambient temperature.</li> <li>Measured at 20MHz of bandwidth by using a 12" twisted pair-wire terminated with a 0.1 uF &amp; 47uF parallel capacitor.</li> <li>The SPS is considered a component which will be installed into final equipment. The equipment must be re-confirmed that it still meets EMC directives.</li> </ol>								

**Mechanical Specification**



Pin No.	Assignment
1	AC-L
2	AC-N
3	F.G
4.5.6	DC output -V
7.8.9	DC output +V

**Block Diagram**



**Derating Curve**

