



size: 215*115*50mm

Features:

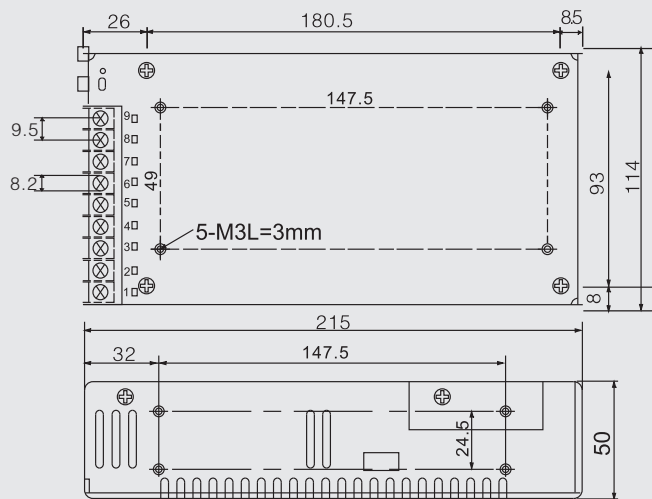
- 2:1 wide input range
- Protection, Short Circuit/Over Load/Over Voltage/Over Temp
- Built-in EMI filter with tiny ripple
- Forced air cooling by built-in DC fan
- 100% full load burn-in test
- Conform to CE/ROHS/ISO9001 Safety standards
- Complied with EN55022:2010+AC; 2010+AC; 2011/EN61000-3-2, EN61000-4-2,3,4,5,6,8,11/EN60950-1
- 3Years Warranty

SPECIFICATION

Model		SD-300A			SD-300B			SD-300C		
Output	DC voltage	5V	12V	30V	5V	12V	30V	5V	12V	30V
	Voltage tolerance	± 2%	± 1%	± 1%	± 2%	± 1%	± 1%	± 2%	± 1%	± 1%
	Rated current	50A	25A	10A	50A	25A	10A	50A	25A	10A
	Current range	0-50A	0-25A	0-10A	0-50A	0-25A	0-10A	0-20A	0-25A	0-10A
	Rated power	250W	300W		250W	300W		250W	300W	
	Ripple&noise	120mV	150mV	180mV	120mV	150mV	180mV	150mV	150mV	180mV
	DC voltage ADJ. range	± 10%								
Input	Setup, rise, hold up time	300ms, 50ms Full load								
	Voltage range	10.5-18VDC			25-40VDC			37-72VDC		
	DC current	33A/12V			17A/24V			9A/48V		
	Efficiency	75%	78%	80%	75%	78%	80%	75%	78%	80%
	Inrush current	Cold start 45A/48VDC								
Protection	Over load	105%~150% rated output power, Shut down O/P voltage, recovers automatically after faulty condition is removed								
	Over voltage	125%~150% load, Shut down O/P voltage, re-power on to recover								
	Over temperature	Shut down O/P voltage, recovers automatically after temperature goes down								
Environment	Working temp, humidity	-10°C~+60°C; 20%~90%RH								
	Storage temp, humidity	-20°C~+85°C; 20%~90%RH								
	Withstand vibration	10~500Hz, 2G 10min./1Cycle, Period for 60min, X,Y,Z Each axes								
Safety	Withstand voltage	I/P-O/P: 1.5KVAC I/P-FG: 1.5KVAC O/P-FG: 0.5KVAC								
	Isolation resistance	I/P-O/P: I/P-FG,O/P-FG: 100M Ohms/500VDC								
Fit standard	Safety standard	ISO9001								
	EMC Standard	CE ROHS								
Others	Weight	1.2Kg								
	Packing	16pcs /19.2kg/0.9CUFT								
Note:	1. All parameters Not specially mentioned are measured at 12V/24V/48VDC input, rated load and 25°C of ambient temperature. 2. Tolerance includes set up tolerance, line regulation and load regulation. 3. Ripple&noise are measured at 20MHz of bandwidth by using a 12" twisted pair-wire terminated with a 0.1uf & 47uf parallel capacitor.									

Mechanical specification

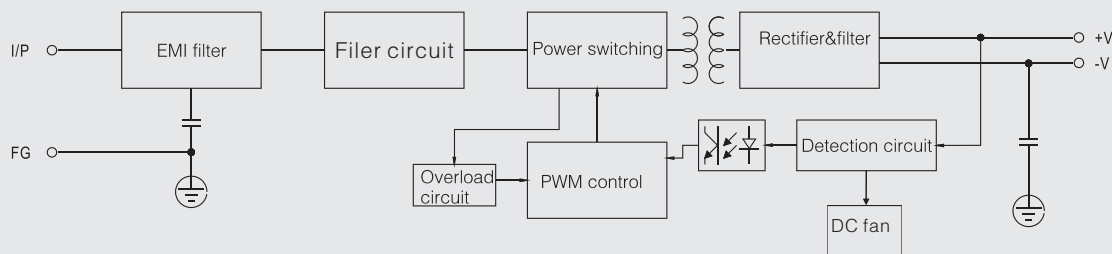
Unit:mm



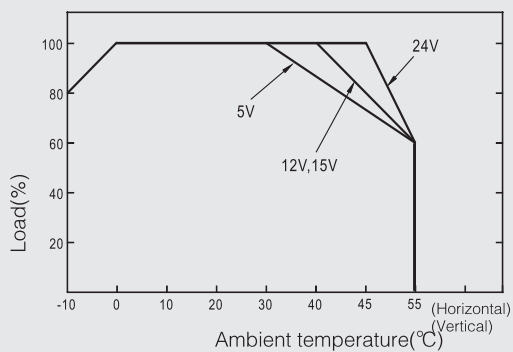
Terminal Pin No Assignment

Pin No.	Assignment	Pin No.	Assignment
1	DC INPUT V+	4、5、6	DC OUTPUT -V
2	DC INPUT V-	7、8、9	DC OUTPUT +V
3	FG		

Block diagram



Derating curve



Static characteristic

