

size: 199*98*38mm

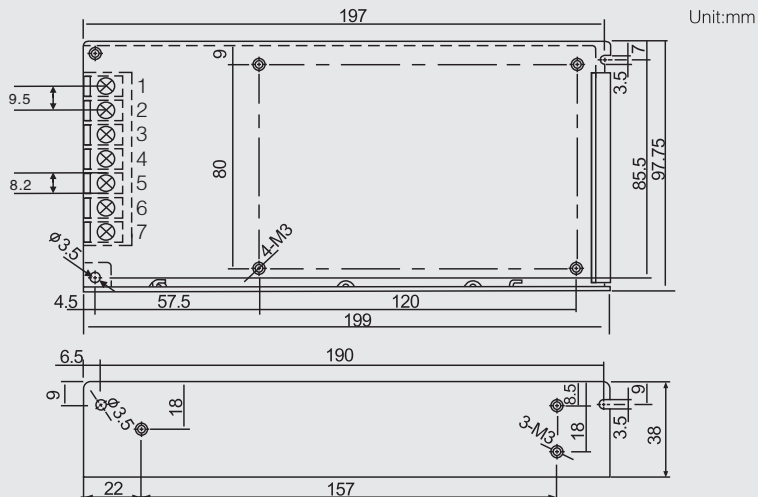
Features:

- 2:1 wide input range
- Protection, Short Circuit/Over Load/Over Voltage
- Built-in EMI filter with tiny ripple
- Cooling way: Free air convection
- 100% full load burn-in test
- Conform to CE/ROHS/ISO9001 Safety standards
- Complied with EN55022:2010+AC; 2010+AC; 2011/EN61000-3-2, EN61000-4-2,3,4,5,6,8,11/EN60950-1
- 3Years Warranty

SPECIFICATION

Model		SD-100A			SD-100B			SD-100C			
Output	DC voltage	5V	12V	24V	5V	12V	24V	5V	12V	24V	
	Voltage tolerance	±2%	±1%	±1%	±2%	±1%	±1%	±2%	±1%	±1%	
	Rated current	15A	8.5A	4.2A	20A	8.5A	4.2A	20A	8.5A	4.2A	
	Current range	0-15A	0-8.5A	0-4.2A	0-20A	0-8.5A	0-4.2A	0-10A	0-8.5A	0-4.2A	
	Rated power	75W	100W								
	Ripple&noise	120mV	150mV	150mV	120mV	150mV	150mV	120mV	150mV	150mV	
	DC voltage ADJ. range	±10%									
Input	Setup, rise, hold up time	2000ms,50ms,Full load									
	Voltage range	10-18VDC			19-36VDC			37-72VDC			
	DC current	15A/12V			8A/24V			4A/48V			
	Efficiency	68%	73%	78%	70%	75%	80%	71%	75%	80%	
Protection	Overload	115%~150% rated output power enter hiccup mode, auto-recovery after faulty condition is removed									
	Over voltage	115%~125%/10% load enter hiccup mode, auto-recovery after faulty condition is removed									
Environment	Working temp, humidity	-10°C~+60°C; 20%~90%RH									
	Storage temp, humidity	-20°C~+85°C; 20%~90%RH									
	Withstand vibration	10~500Hz, 2G 10min./1Cycle, Period for 60min, X,Y,Z Each axes									
Safety	Withstand voltage	I/P-O/P: 1.5KVAC I/P-FG: 1.5KVAC O/P-FG: 0.5KVAC									
	Isolation resistance	I/P-O/P: I/P-FG,O/P-FG: 100M Ohms/500VDC									
Fit standard	Safety standard	ISO9001									
	EMC Standard	CE ROHS									
Others	Weight	0.7Kg									
	Packing	30pcs /21kg/0.9CUFT									
Note:	1. All parameters Not specially mentioned are measured at 12V/24V/48VDC input, rated load and 25°C of ambient temperature. 2. Tolerance includes set up tolerance, line regulation and load regulation. 3. Ripple&noise are measured at 20MHz of bandwidth by using a 12" twisted pair-wire terminated with a 0.1uf & 47uf parallel capacitor.										

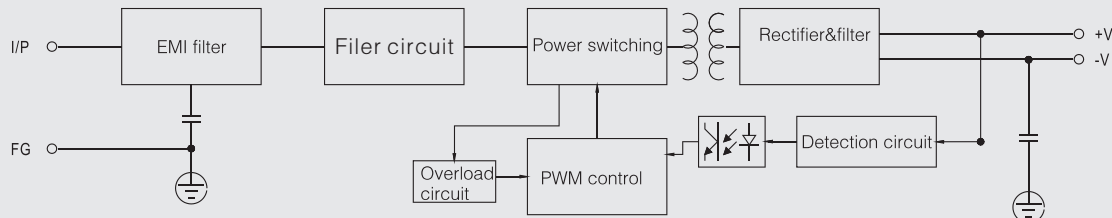
Mechanical specification



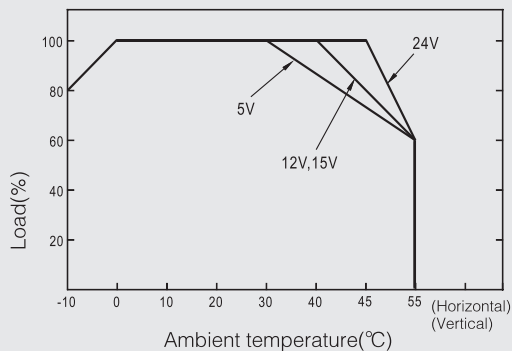
Terminal Pin No Assignment

Pin No.	Assignment	Pin No.	Assignment
1	DC INPUT V+	4、5	DC OUTPUT -V
2	DC INPUT V-	6、7	DC OUTPUT +V
3	FG		

Block diagram



Derating curve



Static characteristic

