



Size : 99\*82\*30mm

**Features:**

- Universal AC input/Full range
- Built-in EMI filter, tiny ripple
- Protections:short circuit/overload/over voltage
- Cooling by free air convection
- 43,000 hours of continuous operation at 20 °C
- 100% full load burn-in test
- LED indicator for power on
- Compliance to IEC/EN60335-1 (PD3) and IEC/EN61558-1,2-16 suitable for home appliance
- 3 years warranty

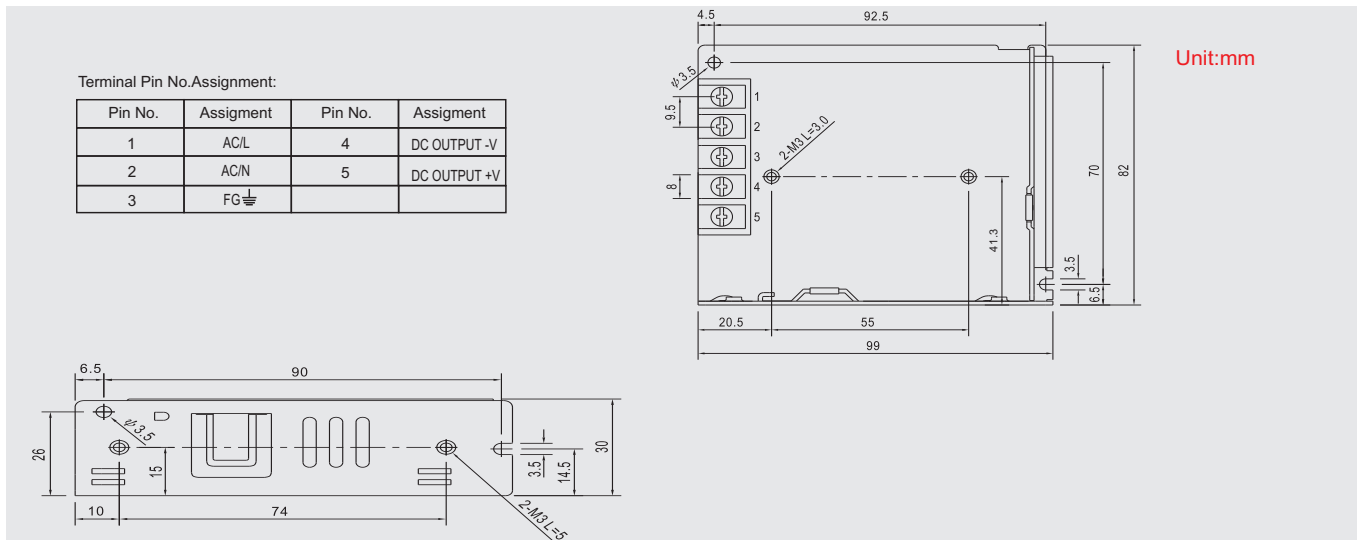
**SPECIFICATION**

Model		NRS-35-12	NRS-35-15	NRS-35-24	NRS-35-36	NRS-35-48
OUTPUT	DC VOLTAGE	12V	15V	24V	36V	48V
	RATED CURRENT	3A	2.4A	1.5A	1A	0.8A
	CURRENT RANGE	0 ~3A	0 ~ 2.4A	0 ~ 1.5A	0 ~ 1A	0 ~ 0.8A
	RATED POWER	36W	36W	36W	36W	38.4W
	RIPPLE&NOISE(Max)	120mVp-p	120mVp-p	150mVp-p	200mVp-p	200mVp-p
	VOLTAGE ADJ.RANGE	10.2 ~ 13.8V	13.5 ~ 18V	21.6 ~ 28.8V	32.4 ~ 39.6V	43.2 ~ 52.8V
	VOLTAGE TOLERANCE	±1.0%	±1.0%	±1.0%	±1.0%	±1.0%
	LINE REGULATION	±0.5%	±0.5%	±0.5%	±0.5%	±0.5%
	LOAD REGULATION	±0.5%	±0.5%	±0.5%	±0.5%	±0.5%
	SETUP,RISE TIME	1000ms, 30ms/230VAC      2000ms, 30ms/115VAC(full load)				
HOLD UP TIME (Typ.)	30ms/230VAC      12ms/115VAC(full load )					
INPUT	VOLTAGE RANGE	85 ~ 264VAC    120~373VDC				
	FREQUENCY RANGE	47 ~ 63Hz				
	EFFICIENCY(Typ.)	86%	86%	88%	88%	89%
	AC CURRENT(Typ.)	0.7A/115VAC    0.42A/230VAC				
	INRUSH CURRENT(Typ.)	COLD START 45A/230VAC				
LEAKAGE CURRENT	<0.75mA / 240VAC					
PROTECTION	OVERLOAD	110~ 150% rated output power Protection type:Hiccup mode,recovers automatically after fault condition is removed				
	OVER VOLTAGE	13.8~16.2V	18.75~21.75V	28.8~33.6V	41.4~48.6V	55.2~64.8V
ENVIRONMENT	WORKING TEMP.	-20 ~ +70°C (Refer to "derating curve" )				
	WORKING HUMIDITY	20 ~ 90% RH non-condensing				
	STORAGE TEMP.,HUMIDITY	-45 ~ +85°C, 20% ~ 95% RH non-condensing				
	TEMP.COEFFICIENT	±0.03%/°C (0 ~ 50°C)				
	VIBRATION	10 ~ 500Hz, 2G 10 min/1cycle,60min.each X、Y、Z axes				
SAFETY	SAFETY STANDARDS	GB4943.1, EN 60950.1 APPROVED				
	WITHSTAND VOLTAGE	I/P-O/P:1.5KVAC    I/P-FG:1.5KVAC    O/P-FG:0.5KVAC				
	ISOLATION RESISTANCE	I/P-O/P, I/P-FG, O/P-FG:100M Ohms / 500VDC / 25°C/ 70% RH				
	EMC EMISSION	Compliance to EN61000-3-2:2014/EN61000-3-3:2013				
OTHERS	EMC IMMUNITY	Compliance to EN 55032:2015/EN55035:2017/60950-1				
	MTBF	≥763.6K hrs    MIL-HDBK-217F(25°C)				
	DIMENSION	99*82*30mm (L*W*H)				
	PACKING	0.23Kg/PCS,60PCS/14.8KG/CTN,43*23*33CM				
NOTE	1. All parameters NOT specially mentioned are measured at 230VAC input,rated load and 25°C of ambient temperature. 2. Ripple&noise are measured at 20MHz of bandwidth by using a 12 "twisted pair -wire terminated with a 0.1uf and 47uf parallel capacitors. 3. Tolerance:includes set up tolerance,line regulation and load regulation. 4. Derating output is required under low input voltage. Please refer to the derating curve for details. 5. The power supply should be considered as a part of the components in the system. All EMC tests will test the test samples on a metal iron plate with a thickness of 1mm, a length of 360mm * width of 360mm.					

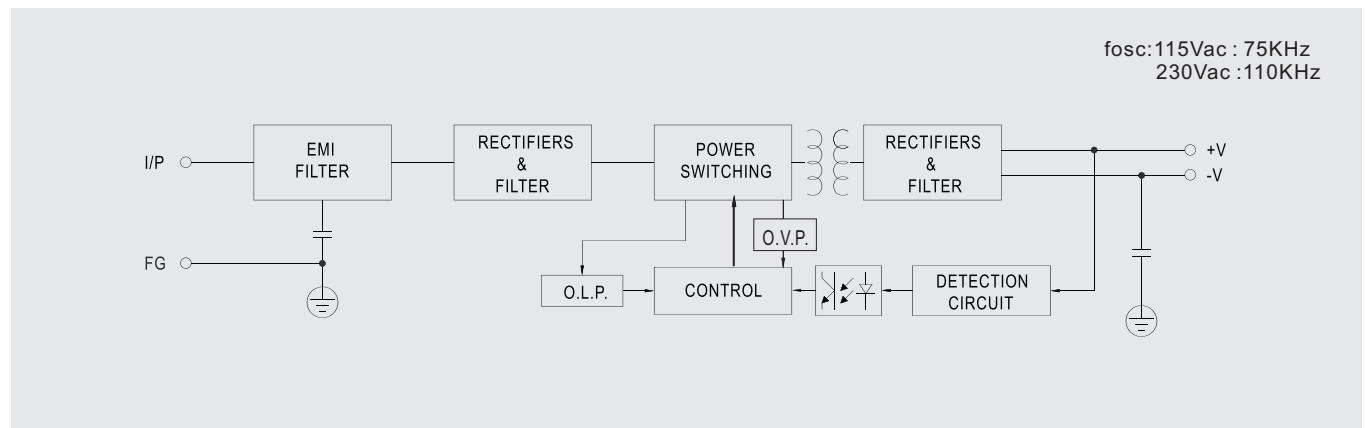
# 35W Single Output Switching Power Supply

NRS-35 Series

## Mechanical Specification



## Block Diagram



## Derating Curve

## Static Characteristic

