



Size : 159*98*38mm

Features:

- Universal full range AC input power
- Built-in EMI filter, tiny ripple
- Protections short circuit/overload/over voltage
- Cooling by free air convection
- 43,000 hours of continuous operation at 25°C
- 100% full load burn-in test
- Compliance to IEC/EN60335-1 (PD3) and IEC/EN61558-1,2-16 suitable for home appliance
- 2 years warranty

SPECIFICATION

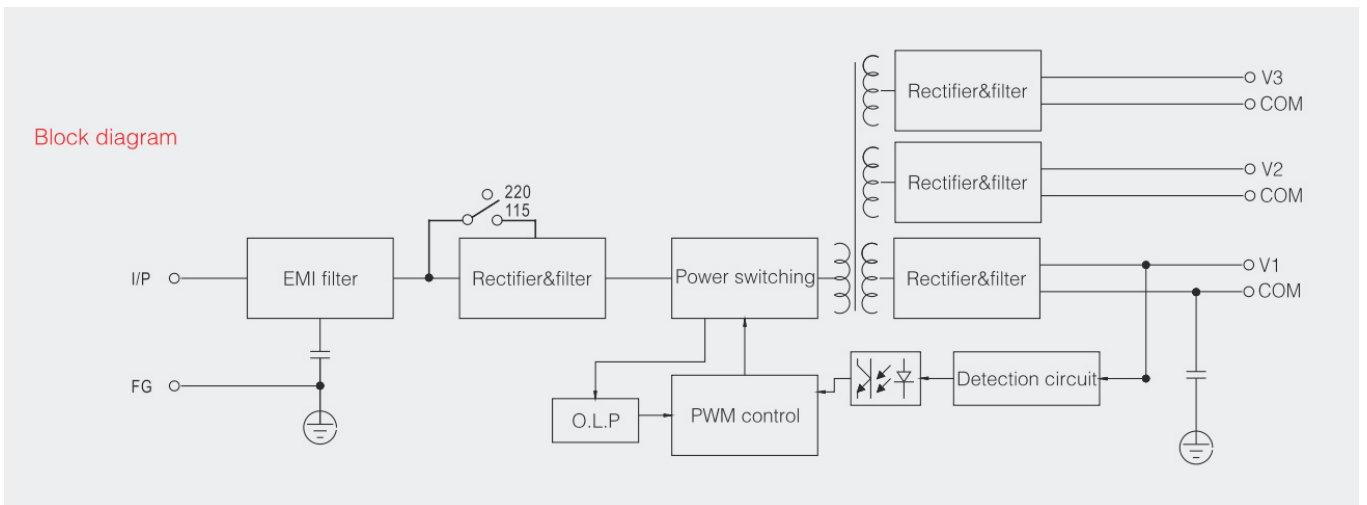
Model		T-50A			T-50B			T-50C			T-50D		
OUTPUT		Ch1	Ch2	Ch3	Ch1	Ch2	Ch3	Ch1	Ch2	Ch3	Ch1	Ch2	Ch3
	DC VOLTAGE	5V	12V	-5V	5V	12V	-12V	5V	15V	-15V	5V	12V	-12V
	RATED CURRENT	6A	2A	1A	6A	2A	2A	4A	1A	1A	3A	1A	1A
	CURRENT RANGE	0.5-6A	0.5-2A	0.5-1A	0.5-6A	0.2-2A	0.2-2A	0.5-4A	0.2-1A	0.2-1A	0.5-3A	0.2-1A	0.2-1A
	RATED POWER	50W			50W			50W			50W		
	RIPPLE NOISE(Max)	100mVp-p	100mVp-p	100mVp-p	100mVp-p	100mVp-p	100mVp-p	100mVp-p	100mVp-p	150mVp-p	50mVp-p	120mVp-p	120mVp-p
	VOLTAGE ADJ.RANGE	Ch1:+10,-5%						Ch1:+10,-5%					
	VOLTAGE TOLERANCE		±5.0%	±5.0%	±2.0%	±5.0%	±5.0%	±2.0%	±5.0%	±5.0%	±2.0%	±6.0%	±6.0%
	LINE REGULATION	±0.5%	±0.5%	±0.5%	±0.5%	±0.5%	±0.5%	±0.5%	±0.5%	±0.5%	±0.5%	±1.0%	±1.0%
	LOAD REGULATION	±1.0%	±4.0%	±4.0%	±1.0%	±4.0%	±4.0%	±1.0%	±4.0%	±4.0%	±1.0%	±5.0%	±5.0%
SETUP,RISE TIME	200ms, 50ms(full load)												
HOLD UP TIME (Typ.)	24ms/230VAC 14ms/115VAC(full load)												
INPUT	VOLTAGE RANGE	85 ~ 132VAC/176~264VAC(selected by switch)						240~370VDC					
	FREQUENCY RANGE	47 ~ 63Hz											
	EFFICIENCY(Typ.)	77%			77%			76%			72%		
	AC CURRENT(Typ.)	1.6A/115VAC			0.8A/230VAC								
	INRUSH CURRENT(Typ.)	COLD START 20A/115VAC 40A / 230VAC											
LEAKAGE CURRENT	<0.5mA / 240VAC												
PROTECTION	OVERLOAD	115 ~ 135% rated output power Protection tye:Hiccup mode,recovers automatically after fault condition is removed											
	OVER VOLTAGE	Ch1:5.75~6.75VAC Protection type : Hiccup mode,recovers automatically after fault condition is removed											
ENVIRONMENT	WORKING TEMP.	-10 ~ +60°C (Refer to derating curve)											
	WORKING HUMIDITY	20 ~ 90% RH non-condensing											
	STORAGE TEMP.,HUMIDITY	-20 ~ +85°C, 20 ~ 95% RH											
	TEMP.COEFFICIENT	±0.03%/°C (0 ~ 50°C)											
VIBRATION	10 ~ 500Hz, 2G 10 min/1cycle,60min.each X Y Z axes												
SAFETY	SAFETY STANDARDS	GB4943.1, EN 60950.1 APPROVED											
	WITHSTAND VOLTAGE	I/P-O/P:1.5KVAC I/P-FG:1.5KVAC O/P-FG:0.5KVAC											
	ISOLATION RESISTANCE	I/P-O/P, I/P-FG, O/P-FG:100M Ohms / 500VDC											
	EMC EMISSION	EN61000-3-2:2014/EN61000-3-3:2013											
	EMC IMMUNITY	EN 55032:2015/EN55035:2017/60950-1											
OTHERS	MTBF	≥281.1K hrs MIL-HDBK-217F(25°C)											
	DIMENSION	159*98*38mm (L*W*H)											
	PACKING	0.45Kg; 30pcs/13.5Kg											
NOTE	1. All parameters NOT specially mentioned are measured at 230VAC input,rated load and 25°Cof ambient temperature. 2. Ripple noise are measured at 20MHz of bandwidth by using a 12 twisted pair -wire terminated with a 0.1uf and 47uf parallel capacitors. 3. Tolerance includes set up tolerance,line regulation and load regulation. 4. Derating output is required under low input voltage. Please refer to the derating curve for details. 5. The power supply should be considered as a part of the components in the system. All EMC tests will test the test samples on a metal iron plate with a thickness of 1mm, a length of 360mm width of 360mm.												

Mechanical Specification

Unit:mm

Terminal Pin No.Assignment:

Pin No.	Assignment	Pin No.	Assignment
1	AC/L	4-5	Output
2	AC/N	6	COM
3	FG	7	Output +5V



Derating Curve

Static Characteristic

