



size: 159\*98\*38mm

### Features:

- 2:1 wide input range
- Protection, Short Circuit/Over Load/Over Voltage
- Built-in EMI filter with tiny ripple
- Cooling way: Free air convection
- 100% full load burn-in test
- Conform to CE/ROHS/ISO9001 Safety standards
- Complied with EN55022:2010+AC; 2010+AC; 2011/EN61000-3-2, EN61000-4-2,3,4,5,6,8,11/EN60950-1
- 3Years Warranty

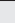
### SPECIFICATION

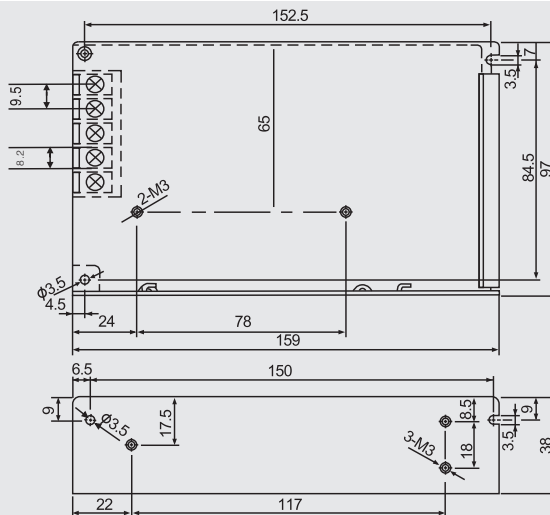
Model		SD-50A			SD-50B			SD-50C		
Output	DC voltage	5V	12V	24V	5V	12V	24V	5V	12V	24V
	Voltage tolerance	± 2%	± 1%	± 1%	± 2%	± 1%	± 1%	± 2%	± 1%	± 1%
	Rated current	10A	4.2A	2.1A	10A	4.2A	2.1A	10A	4.2A	2.1A
	Current range	0-10A	0-4.2A	0-2.1A	0-10A	0-4.2A	0-2.1A	0-10A	0-4.2A	0-2.1A
	Rated power	50W								
	Ripple&noise	100mV	120mV	150mV	100mV	120mV	150mV	100mV	120mV	150mV
	DC voltage ADJ. range	± 10%								
Input	Setup, rise, hold up time	2000ms, 50ms, Full load								
	Voltage range	9.2-18VDC			19-36VDC			37-72VDC		
	DC current	7A/12V			3.5A/24V			1.8A/48V		
	Efficiency	69%	73%	78%	71%	75%	80%	73%	75%	80%
Protection	Overload	115%~150% rated output power enter hiccup mode, auto-recovery after faulty condition is removed								
	Over voltage	115%~125%/10% load enter hiccup mode, auto-recovery after faulty condition is removed								
Environment	Working temp, humidity	-10°C~+60°C; 20%~90%RH								
	Storage temp, humidity	-20°C~+85°C; 20%~90%RH								
	Withstand vibration	10~500Hz, 2G 10min./1Cycle, Period for 60min, X,Y,Z Each axes								
Safety	Withstand voltage	I/P-O/P: 1.5KVAC I/P-FG: 1.5KVAC O/P-FG: 0.5KVAC								
	Isolation resistance	I/P-O/P: I/P-FG,O/P-FG: 100M Ohms/500VDC								
Fit standard	Safety standard	ISO9001								
	EMC Standard	CE ROHS								
Others	Weight	0.5Kg								
	Packing	40pcs /20kg/0.9CUFT								
Note:	1. All parameters Not specially mentioned are measured at 12V/24V/48VDC input, rated load and 25°C of ambient temperature. 2. Tolerance includes set up tolerance, line regulation and load regulation. 3. Ripple&noise are measured at 20MHz of bandwidth by using a 12" twisted pair-wire terminated with a 0.1uf & 47uf parallel capacitor.									

Mechanical specification

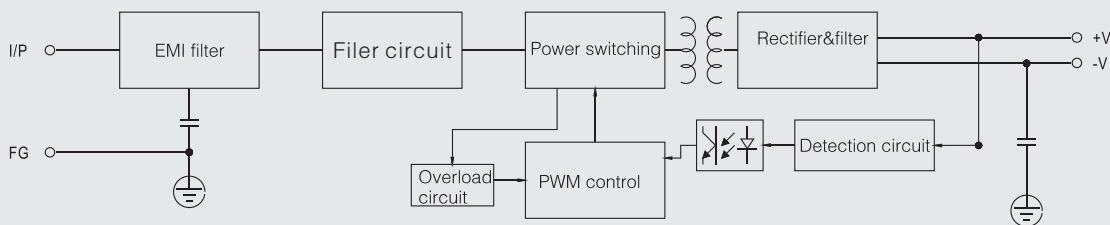
Unit:mm

Terminal Pin No Assignment

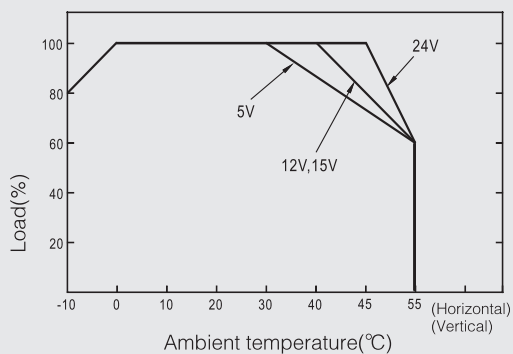
Pin No.	Assignment	Pin No.	Assignment
1	DC INPUT V+	4	DC OUTPUT -V
2	DC INPUT V-	5	DC OUTPUT +V
3	FG 		



Block diagram



Derating curve



Static characteristic

