



Dimension: 238 × 124 × 65mm

## Features:

- AC input voltage range selected by switch
- Small volume, low weight, high efficiency
- Protections : short circuit/over load/over voltage/over temp
- built-in cooling DC fan
- LED indicator for power on
- 100% full load burn-in test
- 1 Years warranty

## SPECIFICATION

| Model            |   | S-600-12   | S-600-24     | S-600-48     |
|------------------|---|--|--------------|--------------|
| Output           | DC voltage  | 12V  | 24V          | 48V          |
|                  | Voltage tolerance   | ± 1%   | ± 1%         | ± 1%         |
|                  | Rated current   | 50A  | 25A          | 12.5A        |
|                  | Current range   | 0 ~ 50A  | 0 ~ 25A      | 0 ~ 12.5A    |
|                  | Rated power   | 600W   | 600W         | 600W         |
|                  | Ripple&noise  | 150mVp-p   | 180mVp-p     | 200mVp-p     |
|                  | DC voltage ADJ. range   | -9% ~ +10%   | ± 10%        | ± 10%        |
|                  | Setup, rise, hold up time   | 200ms,30ms,36ms/230VAC.  |              |              |
| Input            | Voltage range   | 90 ~ 132VAC 180 ~ 264VAC 47 ~ 63Hz(Selected by switch), 255 ~ 373VDC |              |              |
|                  | AC current  | 12A/115VAC 6A/230VAC   |              |              |
|                  | Efficiency  | 82%  | 84%          | 86%          |
|                  | Inrush current  | Cold start 25A/115V 50A/230VAC                                       |              |              |
|                  | leakage current   | < 3.5mA/240VAC   |              |              |
| Protection       | Overload  | Rated output power105% ~ 135%Start overload protection               |              |              |
|                  |   | Protection type: cutoff output, recovery after restart power         |              |              |
|                  | Over voltage  | 15.6 ~ 17.8V   | 30.6 ~ 33.2V | 54.8 ~ 56.6V |
|                  |   | Protection type: cutoff output, recovery after restart power         |              |              |
| Over temperature | Rectifier temperature ≥ 85°C ± 5%Start over temp protection                   |  |              |              |
|                  | Protection mode: cutoff output, auto-recovery after temperature become normal |  |              |              |
| Environment      | Working temp, humidity  | -10°C ~ +60°C;20% ~ 90%RH(Please refer to "derating curve" )         |              |              |
|                  | Storage temp, humidity  | -20°C ~ +85°C;10% ~ 95%RH Non-condensing                             |              |              |
|                  | Withstand vibration   | 10 ~ 500Hz, 2G 10min./1Cycle, Period for 60min, Each axes            |              |              |
| Safety           | Withstand voltage   | I/P-O/P: 1.5KVAC I/P-FG: 1.5KVAC O/P-FG: 0.5KVAC                     |              |              |
|                  | Isolation resistance  | I/P-O/P: I/P-FG,O/P-FG: 100M Ohms/500VDC                             |              |              |
| Fit standard     | Safety standard   | Fit UL1012   |              |              |
|                  | EMC Standard  | Fit EN55022, CLASSA  |              |              |
| Others           | Dimension   | 1.5kg 238*124*65mm ( L*W*H )   |              |              |
|                  | Weight  | 1.5kg/12pcs/19kg/1.18CUFT  |              |              |

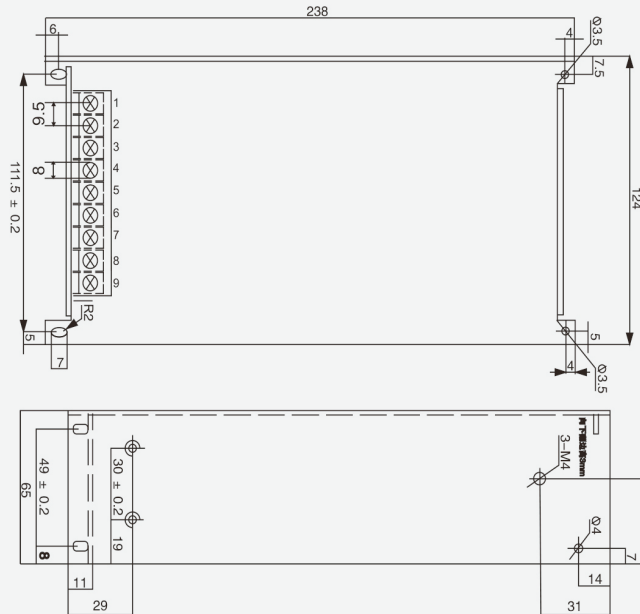
Note: 1. All parameters NOT specially mentioned are measured at 230VAC input, rated load and 25°C of ambient temperature.

2. Ripple & noise are measured at 20MHz of bandwidth by using a 12" twisted pair-wire terminated with a 0.1uf & 47uf parallel capacitor.

3. Tolerance : includes set up tolerance, line regulation and load regulation.

Mechanical specification

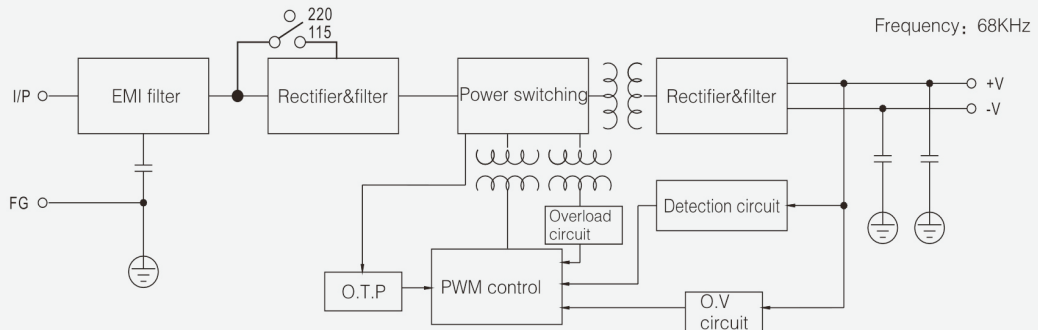
Unit:mm



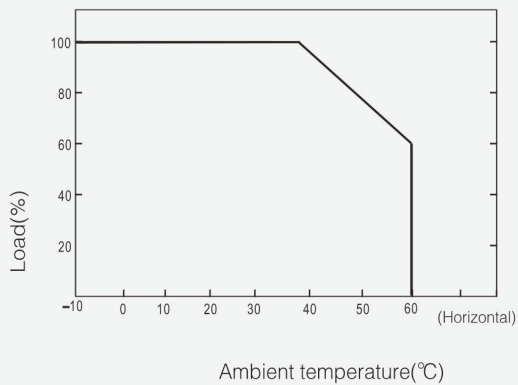
Terminal Pin No. Assignment

| Pin No. | Assignment | Pin No. | Assignment   |
|---------|------------|---------|--------------|
| 1       | AC/L       | 4~6     | DC OUTPUT -V |
| 2       | AC/N       | 7~9     | DC OUTPUT +V |
| 3       | FG $\perp$ |         |              |

Block diagram



Derating curve



Static characteristic

