

200W Series single output switching power supply

S-200 Series



Features:

- AC input voltage range selected by switch
- Small volume, low weight, high efficiency
- Protections : short circuit/over load/over voltage/over temp
- Cooling by free air convection
- LED indicator for power on
- 100% full load burn-in test
- 1 Year warranty

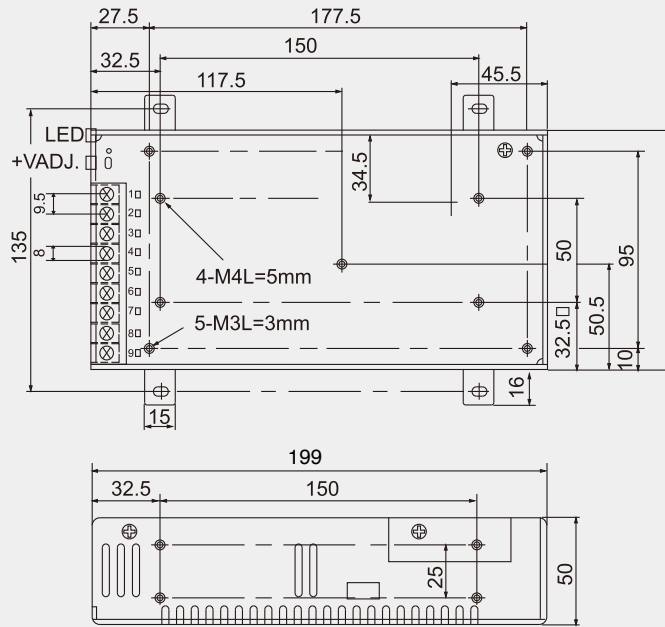
Dimension:199*110*50mm

SPECIFICATION

Model		S-200-12	S-200-15	S-200-24	S-200-48
Output	DC voltage	12V	15V	24V	48V
	Voltage tolerance	± 1%	± 1%	± 1%	± 1%
	Rated current	16.5A	13.4A	8.3A	4.2A
	Current range	0 ~ 16.5A	0~13.4A	0 ~ 8.3A	0 ~ 4.2A
	Rated power	198W	200W	200W	202W
	Ripple&noise	150mVp-p	120mVp-p	180mVp-p	200mVp-p
	DC voltage ADJ. range	± 10%	± 10%	± 10%	± 10%
	Setup, rise, hold up time	180ms,30ms,30ms/230VAC.			
Input	Voltage range	90 ~ 132VAC/180 ~ 264VAC(Selected by switch)47 ~ 63Hz, 255 ~ 373VDC			
	AC current	4.5A/115V 2.5A/230VAC			
	Efficiency	78%	80%	82%	84%
	Inrush current	Cold start 25A/115V 50A/230VAC			
	leakage current	< 3.5mA/240VAC			
Protection	Overload	Rated output power115% ~ 150%Start overload protection			
		Protection type : rated current limit , auto-recovery after fault condition is removed			
	Over voltage	15.6 ~ 17.8V	17.3~22.5A	30.6 ~ 33.2V	54.8 ~ 56.6V
Over temperature	Inner temperature ≥85°C Start over temp protection				
	Protection mode; cutoff output, auto-recovery after temperature become normal				
Environment	Working temp, humidity	-10°C ~ +60°C;20% ~ 90%RH(Please refer to "derating curve")			
	Storage temp, humidity	-20°C ~ +85°C;10% ~ 95%RH Non-condensing			
	Withstand vibration	10 ~ 500Hz, 2G 10min./1Cycle, Period for 60min, Each axes			
Safety	Withstand voltage	I/P-O/P: 1.5KVAC I/P-FG: 1.5KVAC O/P-FG: 0.5KVAC			
	Isolation resistance	I/P-O/P: I/P-FG,O/P-FG: 100M Ohms/500VDC			
Fit standard	Safety standard	Fit UL1012			
	EMC Standard	Fit EN55022, CLASSA			
Others	Dimension	199*110*50mm			
	Weight	0.87kg/24pcs/22kg/1.72CUFT			
<p>Note: 1. All parameters NOT specially mentioned are measured at 230VAC input, rated load and 25°C of ambient temperature.</p> <p>2. Ripple & noise are measured at 20MHz of bandwidth by using a 12" twisted pair-wire terminated with a 0.1uf & 47uf parallel capacitor</p> <p>3. Tolerance : includes set up tolerance, line regulation and load regulation.</p>					

Mechanical specification

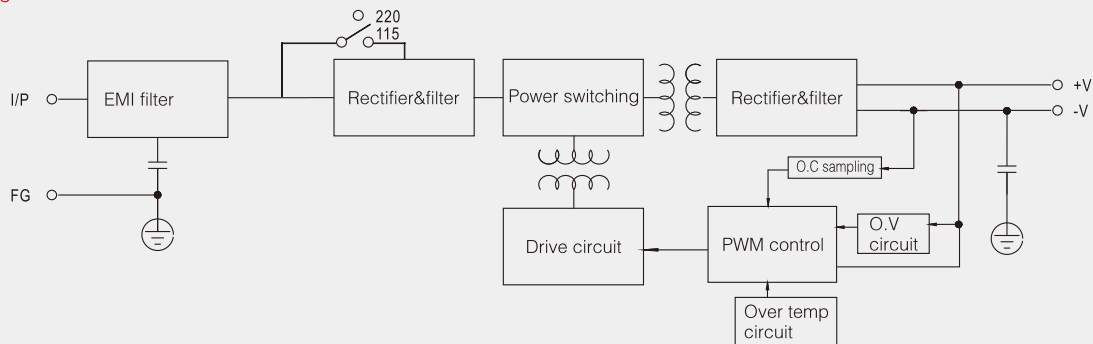
Unit:mm



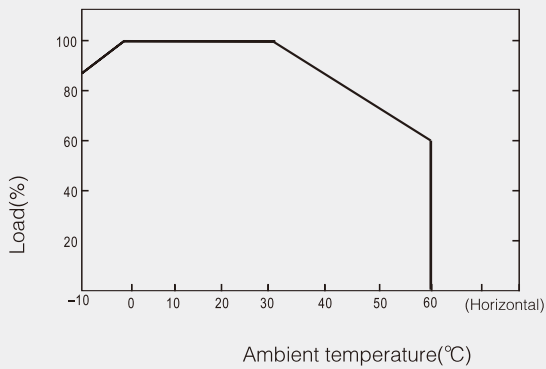
Terminal Pin No. Assignment

Pin No.	Assignment	Pin No.	Assignment
9	AC/L	4~6	DC OUTPUT -V
8	AC/N	1~3	DC OUTPUT +V
7	FG		

Block diagram



Derating curve



Static characteristic

