



Size : 215*115*30mm

Features:

- AC input range selectable by switch
- Built-in EMI filter, tiny ripple
- Protections: short circuit/Overload/Over voltage Over temperature
- Forced air cooling by built-in DC fan
- 43,000 hours of continuous operation at 25 °C
- 100% full load burn-in test
- LED indicator for power on
- Compliance to IEC/EN60335-1 (PD3) and IEC/EN61558-1,2-16 suitable for home appliance
- 3 years warranty

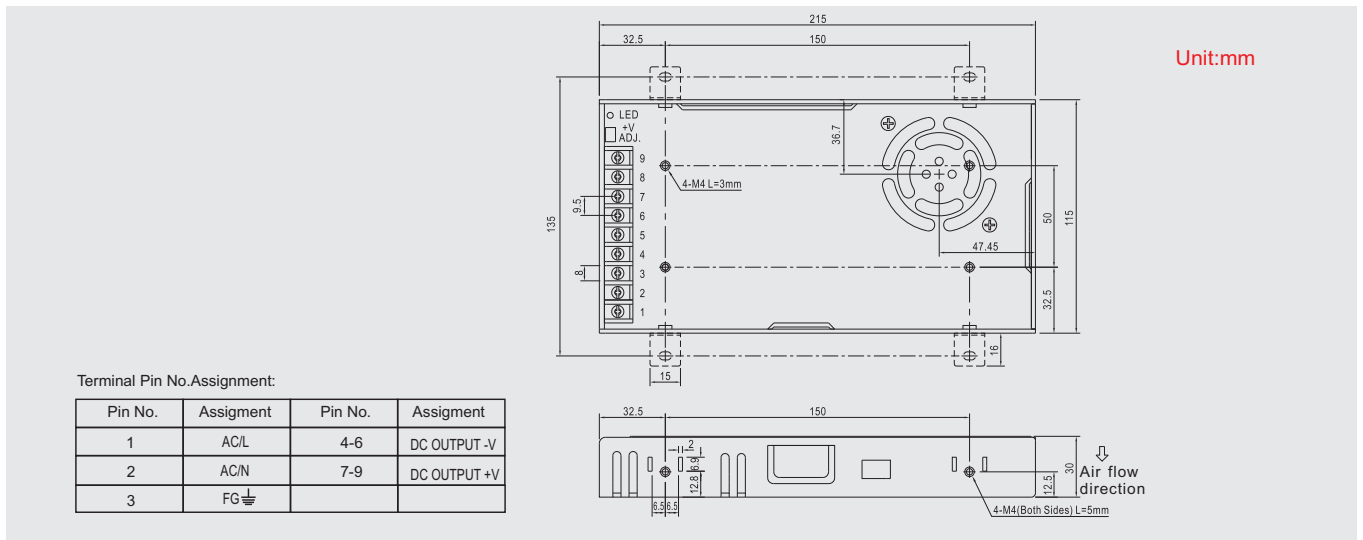
SPECIFICATION

Model		NRS-350-12	NRS-350-15	NRS-350-24	NRS-350-36	NRS-350-48
OUTPUT	DC VOLTAGE	12V	15V	24V	36V	48V
	RATED CURRENT	29A	23.3A	14.6A	9.7A	7.3A
	CURRENT RANGE	0 ~ 29A	0~23.3A	0 ~ 14.6A	0 ~ 9.7A	0 ~ 7.3A
	RATED POWER	348W	249.5W	350.4W	349.2W	350.4W
	RIPPLE NOISE(Max)	150mVp-p	150mVp-p	150mVp-p	200mVp-p	200mVp-p
	VOLTAGE ADJ.RANGE	10.5 ~ 13.8V	13.5~18V	21.6 ~ 28.8V	32.4 ~ 39.6V	43.2 ~ 52.8V
	VOLTAGE TOLERANCE	±1.5%	±1.0%	±1.0%	±1.0%	±1.0%
	LINE REGULATION	±0.5%	±0.5%	±0.5%	±0.5%	±0.5%
	LOAD REGULATION	±1.0%	±0.5%	±0.5%	±0.5%	±0.5%
	SETUP,RISE TIME	1500ms, 50ms/230VAC 1500ms, 50ms/115VAC(full load)				
HOLD UP TIME (Typ.)	16ms/230VAC 12ms/115VAC (full load)					
INPUT	VOLTAGE RANGE	85 ~ 132VAC/ 170 ~ 264VDC by switch			240~370VDC (switch on 230VAC)	
	FREQUENCY RANGE	47 ~ 63Hz				
	EFFICIENCY(Typ.)	85%	86%	88%	88.5%	89%
	AC CURRENT(Typ.)	6.8A/115VAC 3.4A/230VAC				
	INRUSH CURRENT(Typ.)	COLD START: 60A/115VAC 60A/230VAC				
PROTECTION	LEAKAGE CURRENT	<2mA / 240VAC				
	OVERLOAD	110~ 140% rated output power 12~36V Hiccup mode, recovers automatically after fault condition is removed.				
	OVER VOLTAGE	13.8~16.2V	18.75~21.75V	28.8~33.6V	41.4~48.6V	55.2~64.8V
ENVIRONMENT	WORKING TEMP.	-20 ~ 70°C (Refer to derating curve)				
	WORKING HUMIDITY	20 ~ 90% RH non-condensing				
	STORAGE TEMP.,HUMIDITY	-45 ~ 85°C, 20% ~ 95% RH non-condensing				
	TEMP.COEFFICIENT	±0.03%/°C (0 ~ 50°C)				
	VIBRATION	10 ~ 500Hz, 2G 10 min/1cycle,60min.each X Y Z axes				
SAFETY	SAFETY STANDARDS	GB4943.1, EN 60950.1 APPROVED				
	WITHSTAND VOLTAGE	I/P-O/P 1.5KVAC I/P-FG 1.5KVAC O/P-FG 0.5KVAC				
	ISOLATION RESISTANCE	I/P-O/P, I/P-FG, O/P-FG:100M Ohms / 500VDC / 25°C/70%RH				
	EMC EMISSION	Compliance to EN61000-3-2 2014/EN61000-3-3 2013				
OTHERS	EMC IMMUNITY	Compliance to EN 55032 2015/EN55035 2017/60950-1				
	MTBF	≥347.5K hrs MIL-HDBK-217F(25°C)				
	DIMENSION	215*115*30mm (L W H)				
NOTE	PACKING	0.76Kg; 15pcs/10.9Kg/0.78CUFT				
	1. All parameters NOT specially mentioned are measured at 230VAC input, rated load and 25 °C of ambient temperature. 2. Ripple noise are measured at 20MHz of bandwidth by using a 12 twisted pair -wire terminated with a 0.1uf and 47uf parallel capacitors. 3. Tolerance includes set up tolerance, line regulation and load regulation. 4. Derating output is required under low input voltage. Please refer to the derating curve for details. 5. The power supply should be considered as a part of the components in the system. All EMC tests will test the test samples on a metal iron plate with a thickness of 1mm, a length of 360mm width of 360mm.					

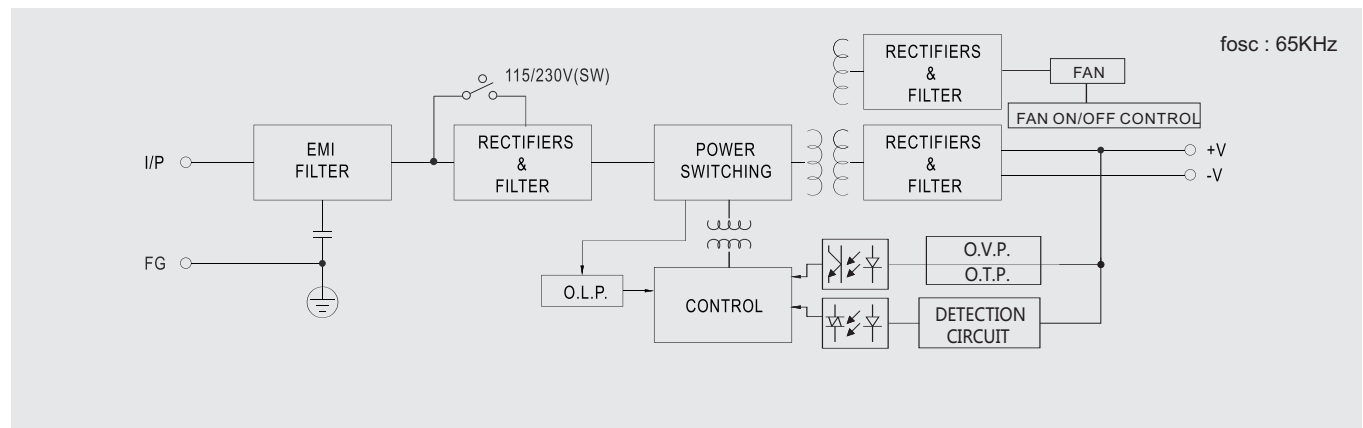
350W Single Output Switching Power Supply

NRS-350 Series

Mechanical Specification



Block Diagram



Derating Curve

Static Characteristic

